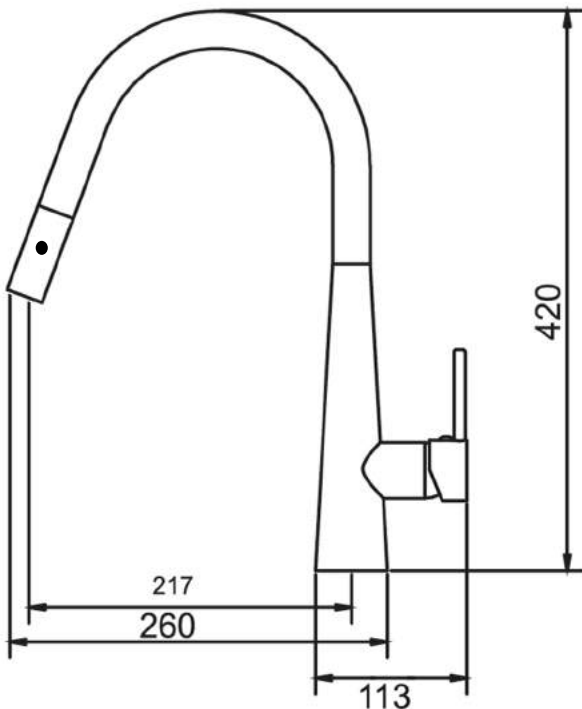


Nero

VENUS PULL OUT SPRAY SINK MIXER



our finishes



Dimensions are nominal measurements only.

SPECIFICATION

PRODUCT CODE	YSW5810-09C
FINISH	CHROME,MATT BLACK
WELS RATING	5L/MIN
WATERMARK LICENSE	WM-060073
TEMPERATURE RATING	MIN 1°C-MAX 75°C
PRESSURE RATING	MIN 150KPa-MAX 500KPa

MAINTENANCE AND CARE

All surfaces should be cleaned with mild liquid detergent or soap and water.

Do not use cream cleaners or citrus based cleaning products, as they are abrasive.

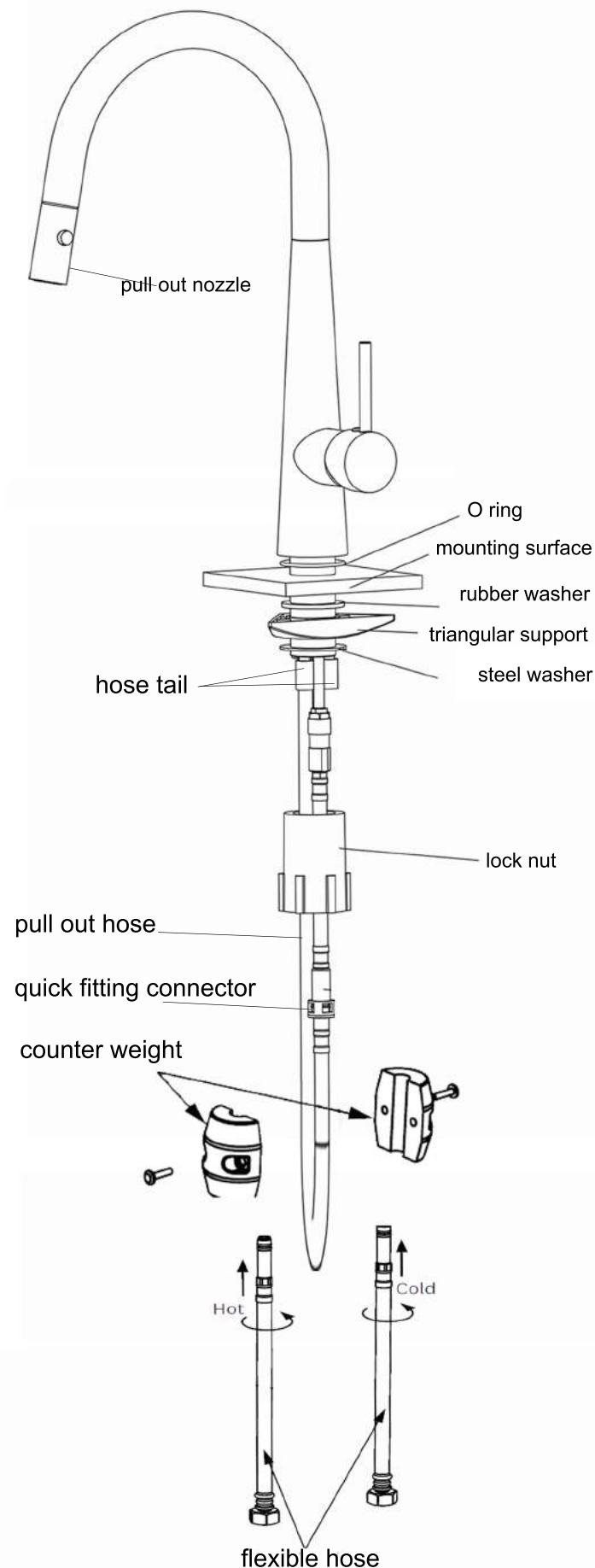
Use of unsuitable cleaning agents may damage the surface. Any damage caused in this way will not be covered by warranty

PACKAGING INCLUDES

- 1x sink mixer
- 2x flexible hose
- 1x installation kit
- 1x counter weight



INSTALL INSTRUCTION AND EXPLOSIVE VIEW



IMPORTANT: Before you begin, take off the water supply. It is recommended to fit isolation valves to both the hot and cold supply.

1. Ensure hole size in mounting surface is between 35mm and 40mm in diameter.
2. Surface thickness must be less than or equal to 60mm.
3. Connect the hot flexible hose onto correct hose tail on mixer.
4. Guide all connected hoses through the hole from the top of the mounting surface and locate the mixer cover on the hole to ensure a seal.
5. Slide rubber washer, stainless steel washer and lock nut over tubes and hoses and screw lock nut onto threaded pipe. A triangular support is supplied for use on thinner mounting surfaces such as stainless steel sink units.
6. Ensure mixer is in the desired position with O-ring completely covering the hole (use silicone sealant if necessary to ensure a water-tight seal) and hand-tighten the lock nut to the underside of the mounting surface and against the stainless steel firmly.
7. Connect the cold flexible hose onto the cold hose tail on the mixer.
8. Fit the rubber washer supplied into the longer hose tail and connect pull-out hose by quick fitting connector.
9. Position the two halves of the counter-weight around the pull-out hose and tighten the screws to lock it in place.
10. Take pull-out nozzle to try pull-out feel and effect.
11. Ensure filter washers are in place in the ends of the flexible hoses and connect to the supply observing the correct orientation for hot and cold. Turn on the water supply and check carefully for leaks. Retighten joints if necessary.